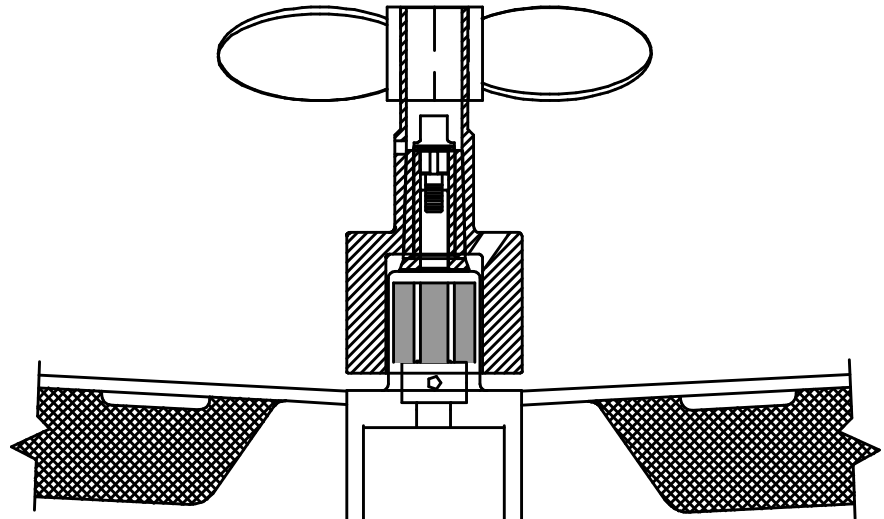


A-100 Assembly View



Maximum 18" Removal
Clearance Required

